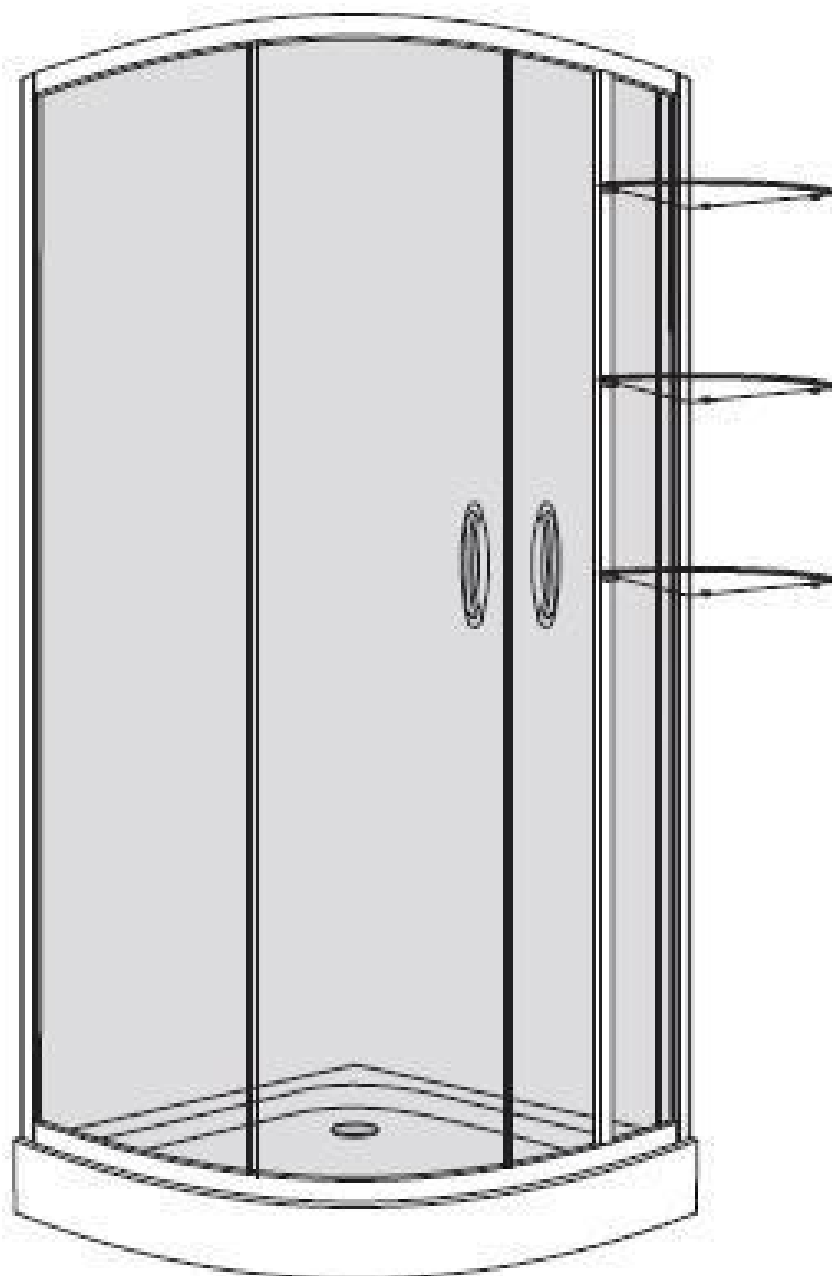


Eureka

Installation instructions



SIZE : 90*90*200 CM

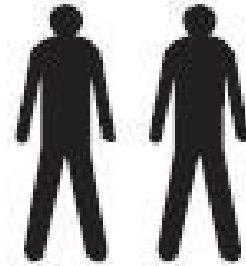
Eureka

Installation instructions

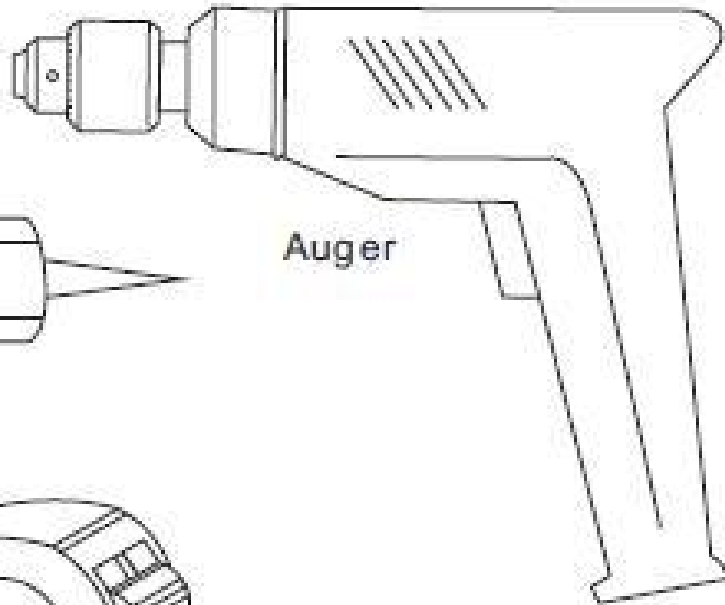
TOOLS REQUIRED(NOT SUPPLIED)

when you're ready to start,make sure that you have the following tools to hand,plenty of space and a clean dry area for assembly.

Two people are needed. Please note:although these instructions are comprehensive,We always recommend that a technically competent installer should undertake installation.

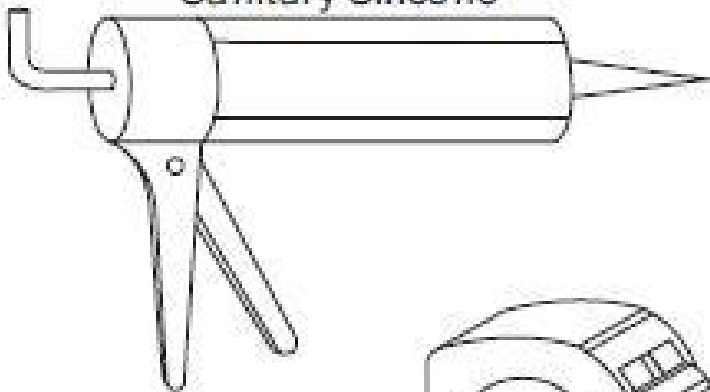


Drill beat head
5.5mm

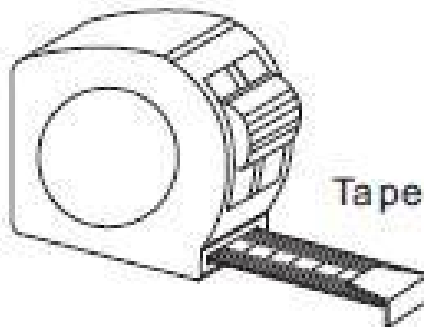


Auger

Sanitary Silicone



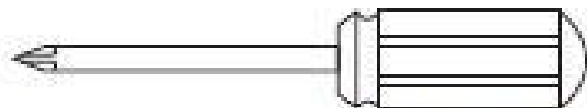
Tape measure



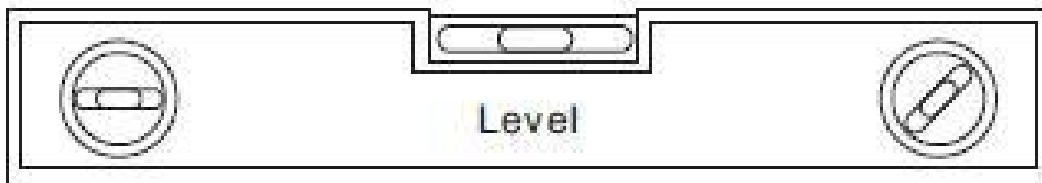
Pencil



Magnetic crosshead schrewdriver



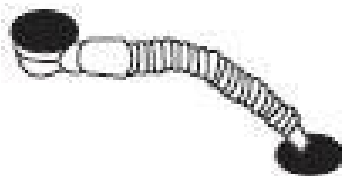
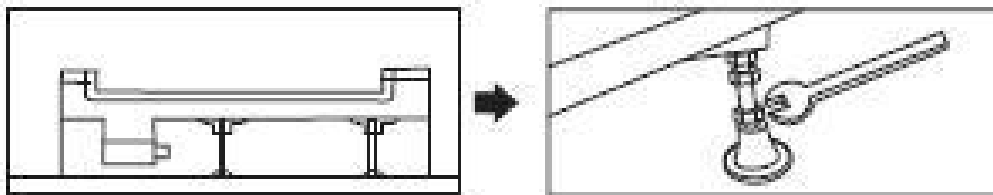
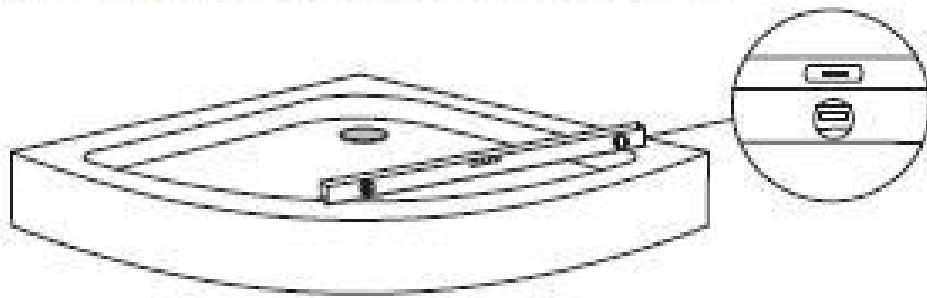
Level



Eureka

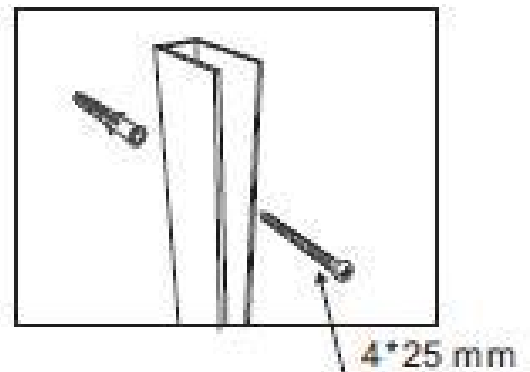
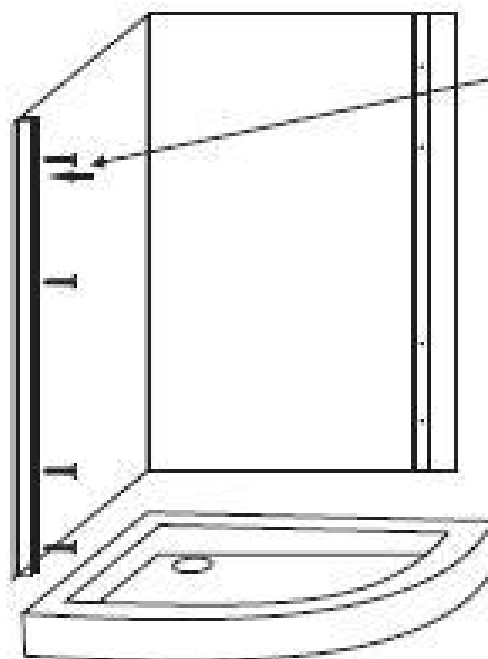
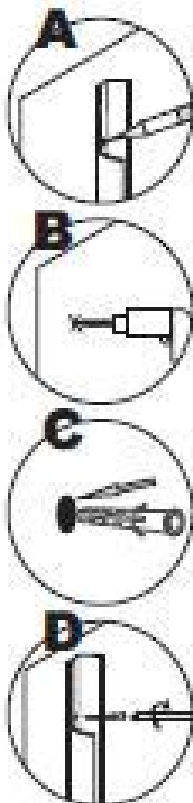
Installation instructions

1.



Lift the rear part of bottom basin, and then insert one end of the pipe into the drainage hole

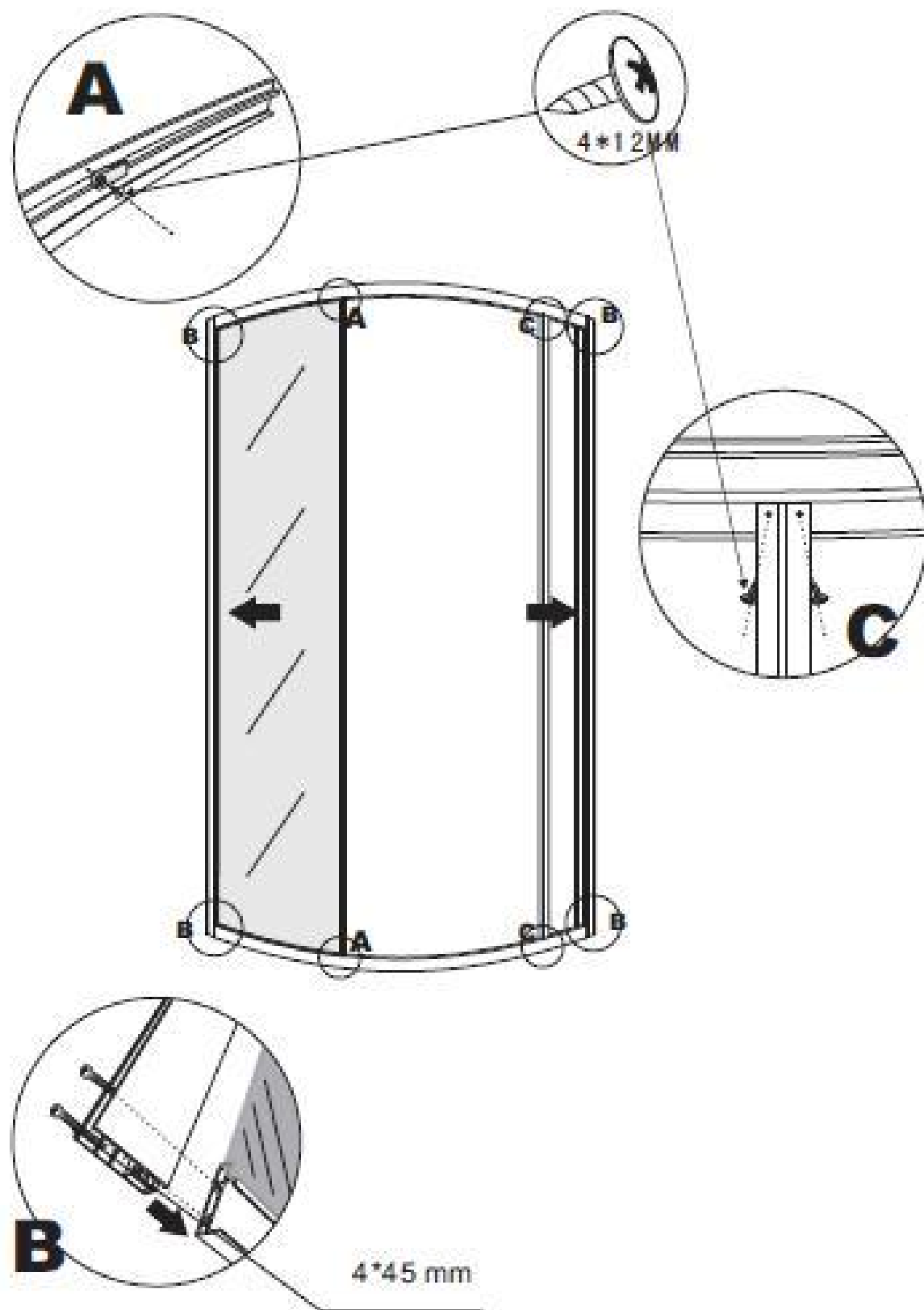
2.



Eureka

Installation instructions

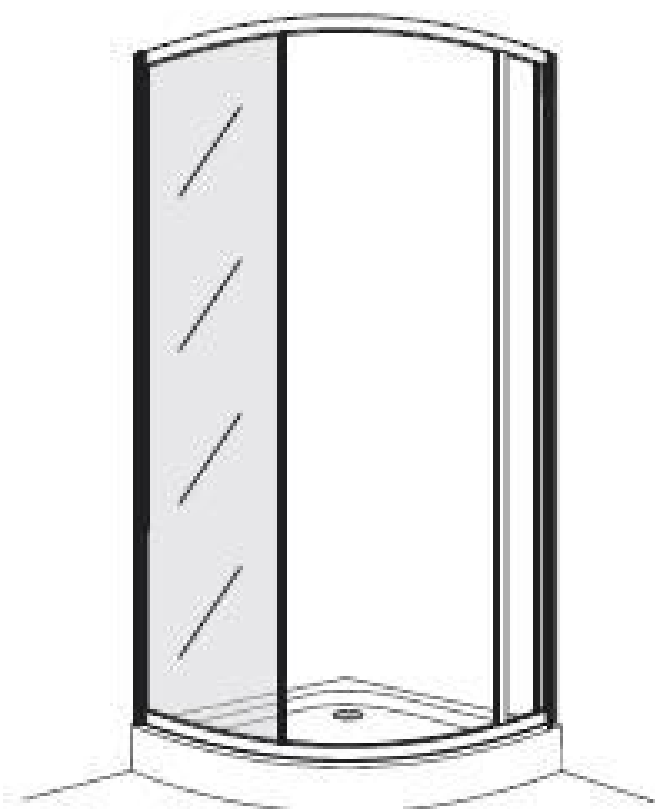
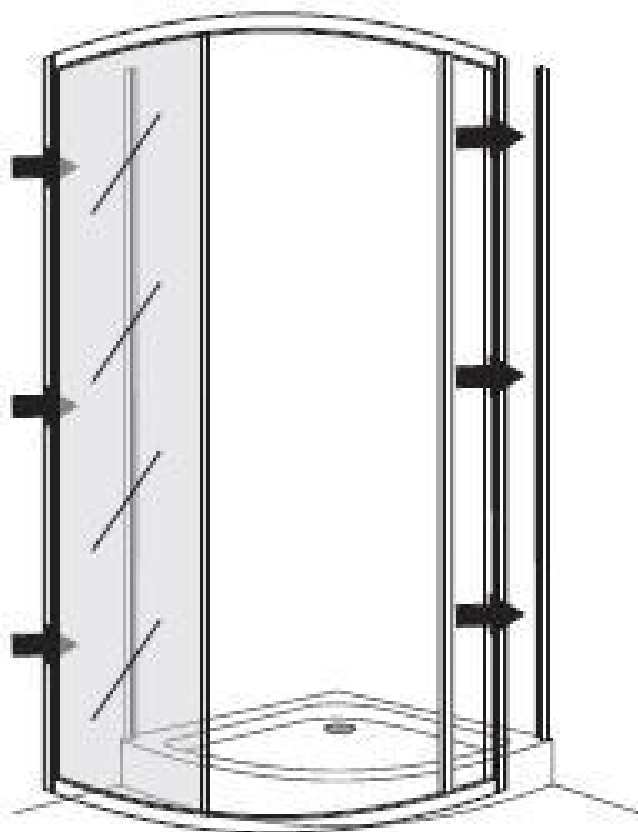
3.



Eureka

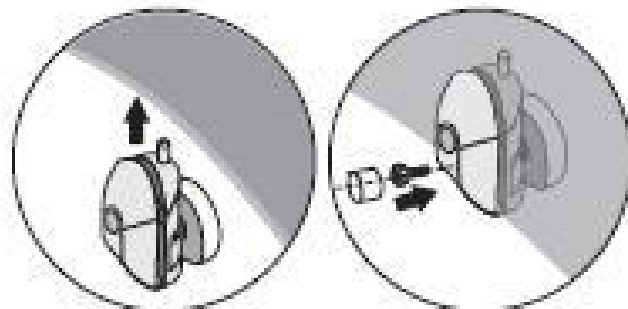
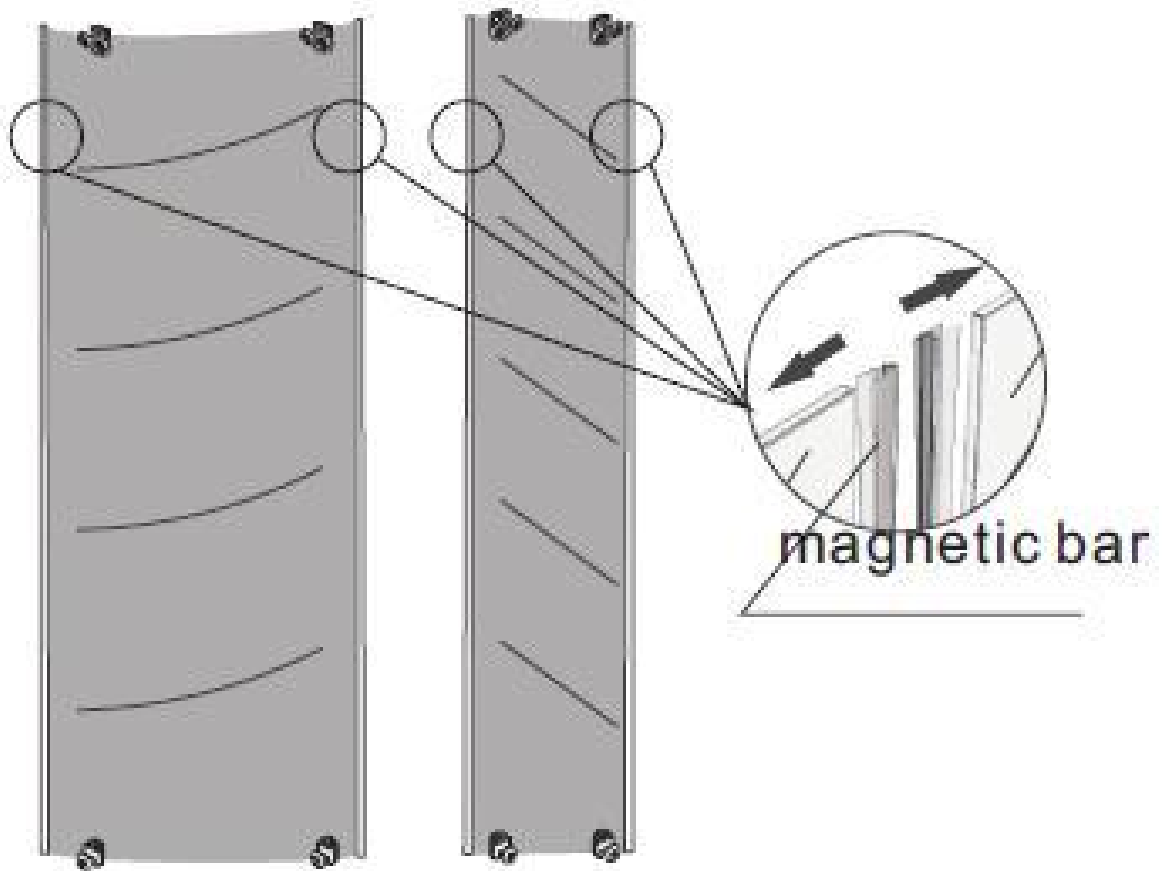
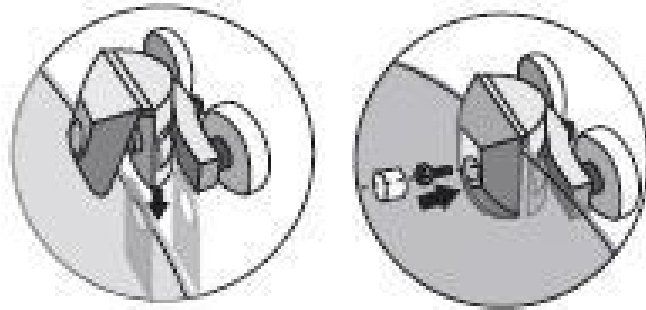
Installation instructions

4.



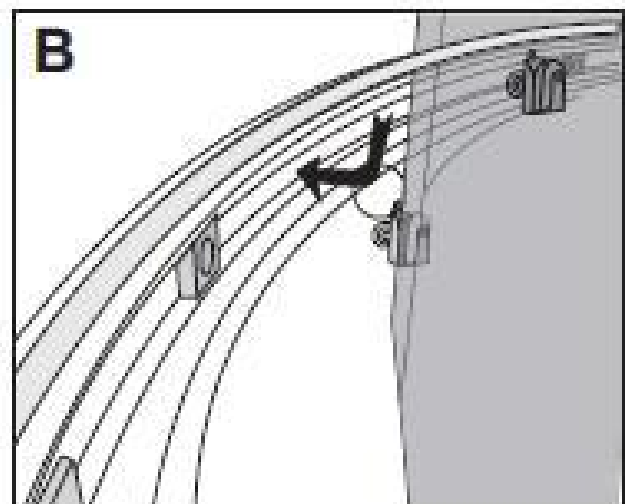
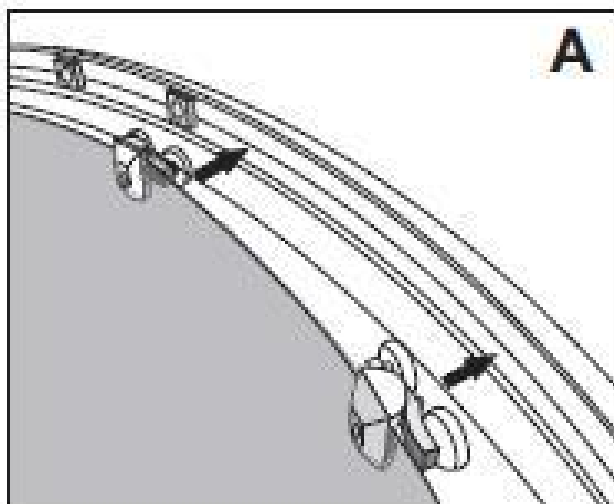
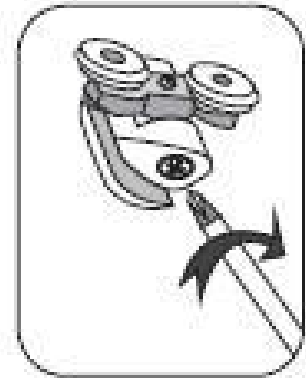
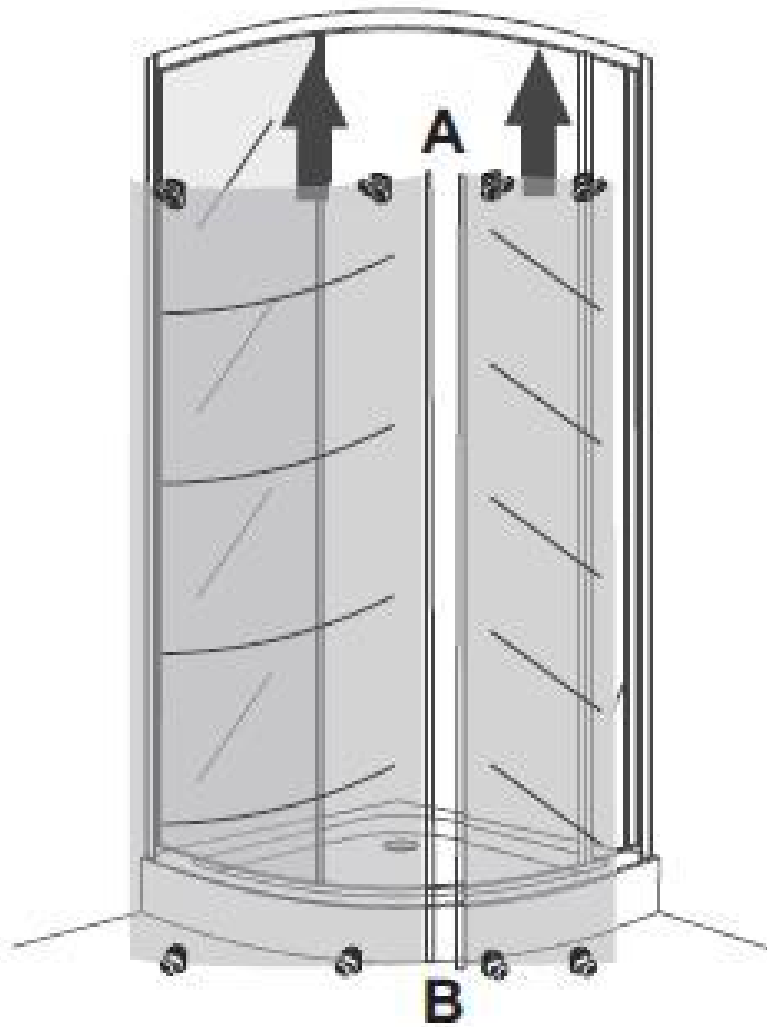
Eureka

Installation instructions



Eureka

Installation instructions



Eureka

Installation instructions

6.

